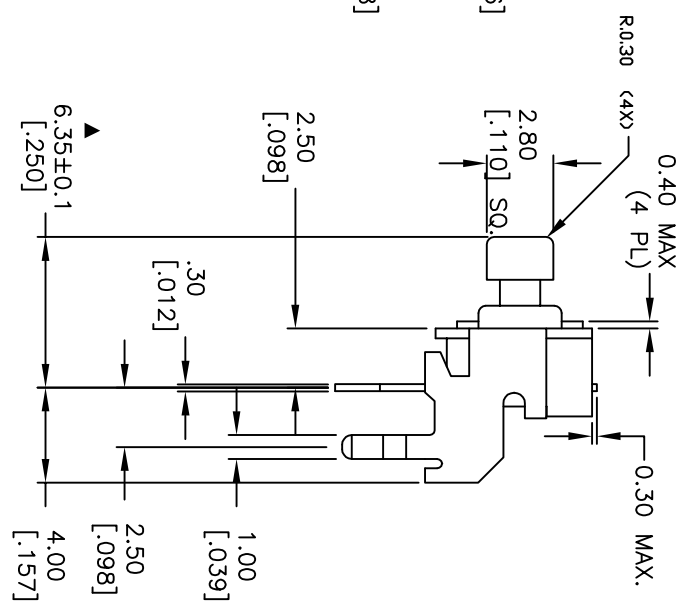
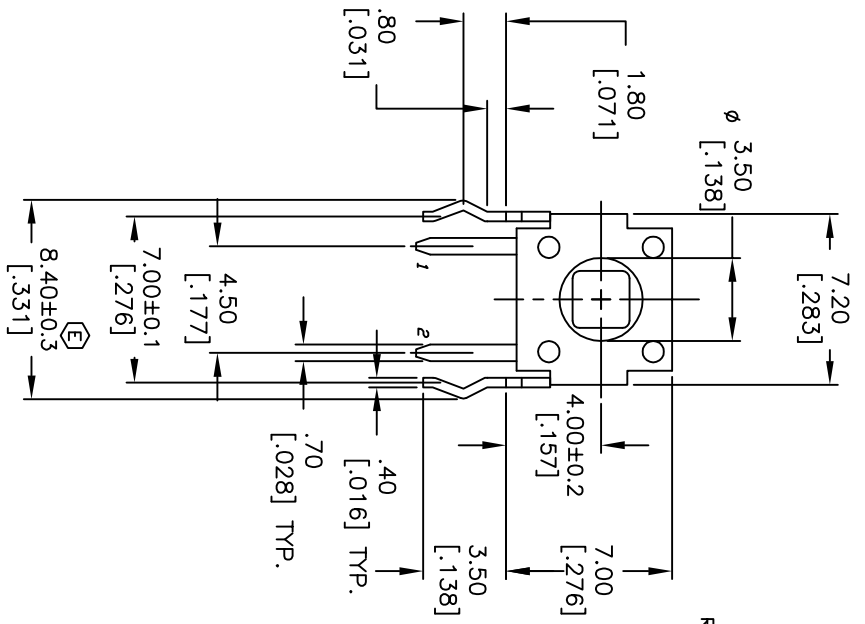
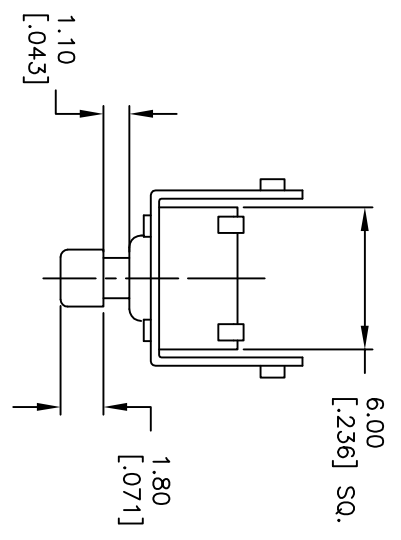


- NOTES:
1. ALL DIMENSIONS IN MM [INCH]
  2. GENERAL TOLERANCE: X.X=±0.4  
X.XX=±0.25
  3. TERM. NOS. FOR REFERENCE ONLY.
  4. RATINGS: 12VDC, 50mA
  5. OPERATING FORCE: 160±50gf
  6. TRAVEL: 0.25±0.1mm
  7. CONTACT RESISTANCE: 100 MILLI Ω Max.
  8. DIELECTRIC STRENGTH: 250V RMS min.
  9. INSULATION RESISTANCE: 100 Mega Ω min.
  10. ELECTRICAL LIFE: 100,000 CYCLES min.
  11. DESIGNATE MAJOR FEATURE:
  12. HOUSING COLOR: BLACK
  13. 2002/95/EC (ROHS) COMPLIANT



E	18742	LEG TOLERANCE WAS +/- 0.1	1/12/10	BLR
D	12357	ADD NOTE 12	8/7/02	CB
C1	12354	ADD NOTCH	8/6/02	CB
REV.	ECN NO.	DESCRIPTION	DATE	CHKD

TITLE			
SCALE		DATE	
3:1	1/12/10	DR	DWG
		BLR	P010205
TL1105JA F160 Q		REV	
		E	

THE INFORMATION CONTAINED IN THIS DOCUMENT IS PROPRIETARY TO E-SWITCH AND IS NOT TO BE COPIED OR TRANSFERRED