

## Sensor/Actuator cable - SAC-3P- 5,0-PUR/BI-1L-S F - 1669961

Please be informed that the data shown in this PDF Document is generated from our Online Catalog. Please find the complete data in the user's documentation. Our General Terms of Use for Downloads are valid (<http://download.phoenixcontact.com>)



Sensor/Actuator cable, 3-position, PUR/PVC, Gray RAL 7001, Free cable end, on BI valve plug (11 mm), with 1 LED, connected with Z diode, Cable length: 5 m

### Product Features

- ✓ Easy and safe: 100% electrically tested plug-in components
- ✓ Robust valve plug-in connector with Zener diode as protective circuit
- ✓ Convenient: increased machine availability thanks to quick and easy diagnostics
- ✓ Compact: flat design for applications where space is at a premium



### Key commercial data

Packing unit	1 PCE
GTIN	 4 017918 134860
Custom tariff number	85444290
Country of origin	GERMANY

### Technical data

#### General data

Rated current at 40°C	3 A
Rated voltage	24 V
Number of positions	3
Volume resistance	≤ 15 mΩ
Insulation resistance	≥ 100 MΩ
Length of cable	5 m
Stripping length of the free conductor end	50 mm
Ambient temperature (operation)	-20 °C ... 80 °C (valve plug)

#### General characteristics

## Sensor/Actuator cable - SAC-3P- 5,0-PUR/BI-1L-S F - 1669961

### Technical data

#### General characteristics

Surge voltage category	II
Pollution degree	3
Degree of protection	IP65
Degree of protection	IP67
Degree of protection	IP68
Valve plug contact material	CuSn
Valve plug contact surface material	Ag
Valve plug contact insert material	PBT
Material housing valve plug	PBT
Sealing material	TPU (Flat gasket valve plug)
Status display	1 LED
Protective circuit/component	Z diode

#### Conductor data

Cable type	PUR/PVC gray
Cable type (abbreviation)	100
Cable abbreviation	LiYY11Y-JZ
Conductor cross section	0.75 mm <sup>2</sup>
AWG signal line	18
Conductor structure signal line	24x 0.20 mm
Core diameter including insulation	approx. 1.8 mm
Thickness, insulation	approx. 0.34 mm (Core insulation)
Thickness, insulation	approx. 0.35 mm (Outer cable sheath)
Thickness, insulation	approx. 0.3 mm (Inner sheath)
Wire colors	Black 1, black 2, green/yellow
Overall twist	3 concentrically twisted wires
Length of twist, overall twist	83 mm
External sheath, color	Gray RAL 7001
External cable diameter	5.20 mm
Smallest bending radius, movable installation	62 mm
Outer sheath, material	PUR
Material, inner sheath	PVC
Material conductor insulation	PVC
Conductor material	Bare Cu litz wires
Insulation resistance	≥ 1 MΩ*km
Nominal voltage, conductor	240 V
Test voltage, conductor	2000 V
Ambient temperature (operation)	-30 °C ... 80 °C (cable, fixed installation)

# Sensor/Actuator cable - SAC-3P- 5,0-PUR/BI-1L-S F - 1669961

## Technical data

### Conductor data

Ambient temperature (operation)	-5 °C ... 70 °C (cable, flexible installation)
---------------------------------	--

## Classifications

### ETIM

ETIM 2.0	EC000830
ETIM 3.0	EC001855
ETIM 4.0	EC001855
ETIM 5.0	EC001855

### UNSPSC

UNSPSC 11	31251501
UNSPSC 12.01	31251501
UNSPSC 13.2	31251501
UNSPSC 6.01	31251501
UNSPSC 7.0901	31251501

### eCl@ss

eCl@ss 4.0	27060306
eCl@ss 4.1	27060306
eCl@ss 5.0	27061801
eCl@ss 5.1	27061801
eCl@ss 6.0	27061801
eCl@ss 7.0	27061801

## Approvals

### Approvals

---

#### Approvals

UL Listed / cUL Listed / cULus Listed

---

#### Ex Approvals

---

#### Approvals submitted

---

# Sensor/Actuator cable - SAC-3P- 5,0-PUR/BI-1L-S F - 1669961

## Approvals

### Approval details

UL Listed	
Nominal current IN	4 A
Nominal voltage UN	24 V

cUL Listed	
Nominal current IN	4 A
Nominal voltage UN	24 V

cULus Listed	
--------------	--

## Accessories

### Accessories

### Marking

Insert label - PABA WH/15 - 1013151



Insert label, Strip, white, Unlabeled, Can be labeled with: Plotter, Mounting type: Thread on, Cable diameter: 0.6-50 mm, Lettering field: 15 x 4 mm

Insert label - PABA YE/15 - 1013698



Insert label, Strip, yellow, Unlabeled, Can be labeled with: Plotter, Mounting type: Thread on, Cable diameter: 0.6-50 mm, Lettering field: 15 x 4 mm

## Sensor/Actuator cable - SAC-3P- 5,0-PUR/BI-1L-S F - 1669961

### Accessories

Insert label - PABA RD/15 - 1013944



Insert label, Strip, red, Unlabeled, Can be labeled with: Plotter, Mounting type: Thread on, Cable diameter: 0.6-50 mm, Lettering field: 15 x 4 mm

---

Conductor marker carrier - PATG 2/23 - 1013850



Conductor marker carrier, transparent, Unlabeled, Mounting type: Slide on, Cable diameter: 2-4 mm, Lettering field: 4 x 23 mm

---

Conductor marker carrier - PATG 3/23 - 1013863



Conductor marker carrier, transparent, Unlabeled, Mounting type: Slide on, Cable diameter: 4-7 mm, Lettering field: 4 x 23 mm

---

Conductor marker carrier - PATG 4/23 - 0808011



Conductor marker carrier, transparent, Unlabeled, Mounting type: Slide on, Cable diameter: 6-10 mm, Lettering field: 4 x 23 mm

---

Marker pen - B-STIFT - 1051993



Marker pen, for manual labeling of unprinted Zack strips, smear-proof and waterproof, line thickness 0.5 mm

---

### Tools

# Sensor/Actuator cable - SAC-3P- 5,0-PUR/BI-1L-S F - 1669961

## Accessories

Cable-cutting tool - CUTFOX-S VDE - 1212207



Diagonal cutter for copper and aluminum conductors, VDE-tested

Stripping tool - WIREFOX SAC - 1212623



Stripping pliers, for halogen-free sensor/actuator cables (SAC cables), with PUR and PVC insulation, from  $\varnothing$  of 4.4 to 7 mm, any stripping length

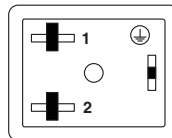
Stripping tool - WIREFOX 10 - 1212150



Stripping tool, for cables and conductors from 0.02 - 10 mm<sup>2</sup>, self-adjusting, stripping length of up to 18 mm, cutting capacity of up to 10 mm<sup>2</sup> stranded/1.5 mm<sup>2</sup> solid, replaceable stripping blade

## Drawings

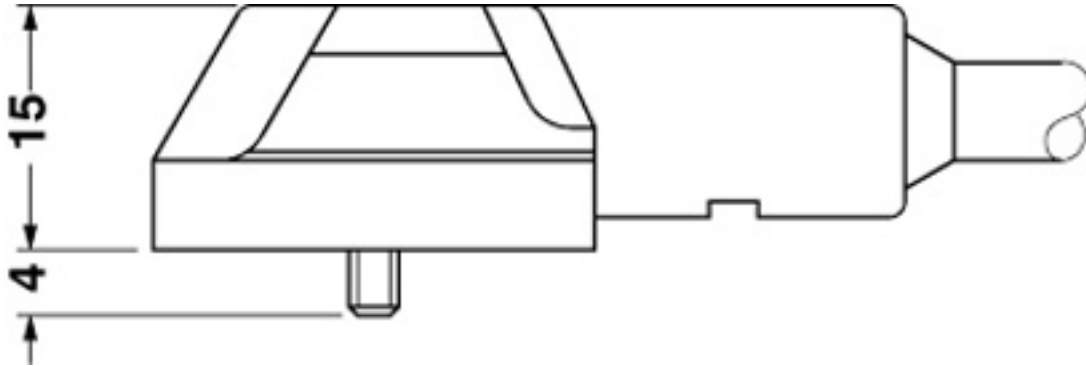
Schematic diagram



Valve connector pin assignment, type BI

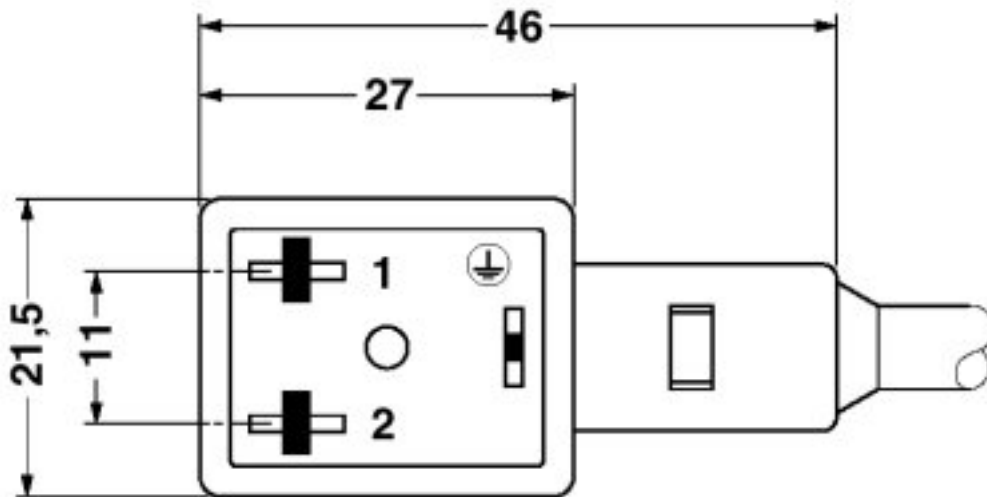
# Sensor/Actuator cable - SAC-3P- 5,0-PUR/BI-1L-S F - 1669961

Dimensioned drawing



Valve connector, type BI, flat

Dimensioned drawing



Valve connector, type BI, flat

# Sensor/Actuator cable - SAC-3P- 5,0-PUR/BI-1L-S F - 1669961

Circuit diagram

