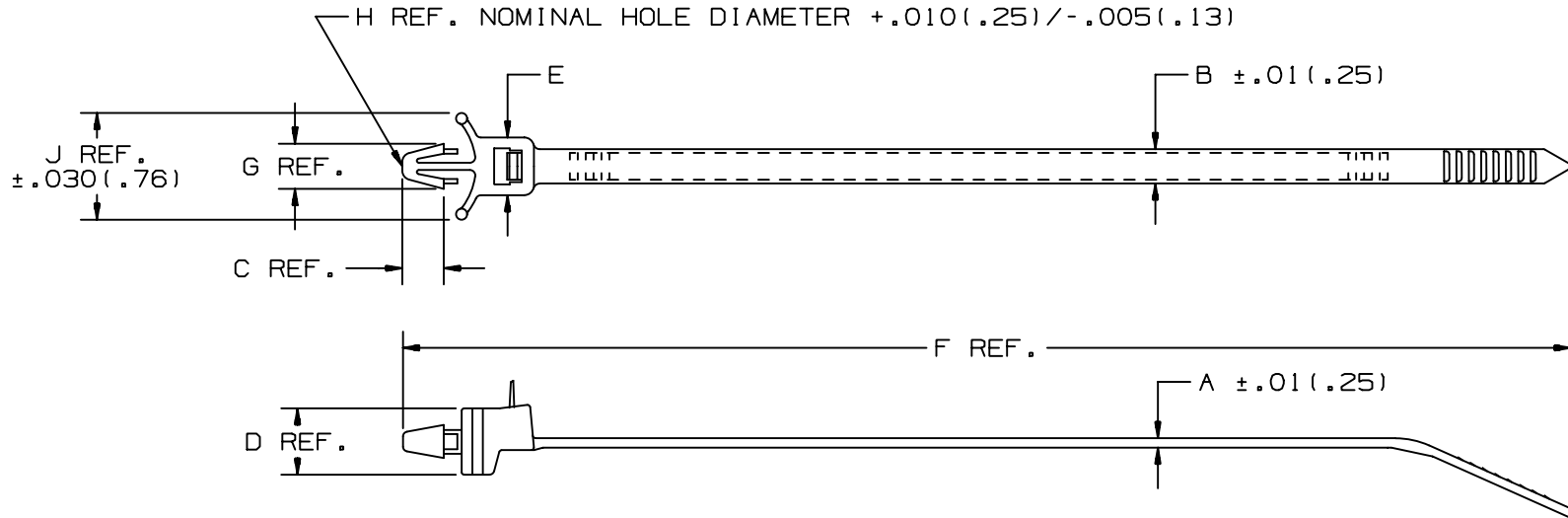


THIS COPY IS PROVIDED ON A RESTRICTED BASIS AND IS NOT TO BE USED IN ANY WAY DETRIMENTAL TO THE INTERESTS OF PANDUIT CORP.



PANDUIT PART NO.	BUNDLE DIA.		A	B	C	D	E	F	G	H	J	MAX. PANEL THICKNESS in (mm)	MIN. LOOP TENSILE lbs (N)	CROSS SECTION	WEIGHT 100 pcs lbs (g)
	MIN. in (mm)	MAX. in (mm)													
PRWP1SB	.06 (1.5)	1.0 (25.4)	.052 (1.3)	.190 (4.8)	.230 (5.8)	.370 (9.4)	.320 (8.1)	5.2 (132)	.240 (6.1)	.187 (4.7)	.593 (15.1)	.157 (4.0)	50 (222)	STANDARD	.29 (132)

NOTE: SEE CURRENT PRICE SHEET FOR PART NUMBER SUFFIX DESIGNATION FOR PACKAGE SIZE, MATERIAL AND PART COLOR.

DIMENSIONS IN PARENTHESES ARE IN METRIC UNITS

PANDUIT CORP. TINLEY PARK, ILLINOIS

RELEASABLE WING PUSH MOUNT TIE  
PRWP1SB

UNLESS OTHERWISE SPECIFIED,  
DIMENSIONAL TOLERANCES ARE:  
(.X) ± .1(.25) (.XXX) ± .020(.51)  
(.XX) ± .02(.5) ANGLES ± ---

UNLESS OTHERWISE SPECIFIED,  
ALL DIMENSIONS ARE GIVEN  
IN INCHES, THIRD ANGLE PROJECTION.

DRAWN BY  
WKS

MAT'L:

SCALE FULL

10 3/1/04 JABO

CORRECTED MIN. LOOP TENSILE METRIC  
CONVERSION TO (222), WAS (223)

22194 10

DATE  
11-3-87

SEE NOTE

DRAWING NO.  
SS-22194

DWG  
A  
SIZE

REV DATE BY CHK

DESCRIPTION

ECN - R

CUST

SUP

CHK'D  
HVP