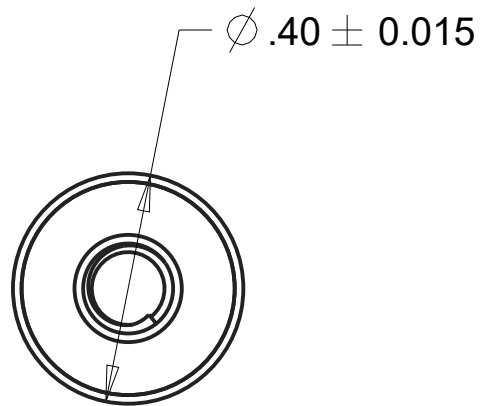
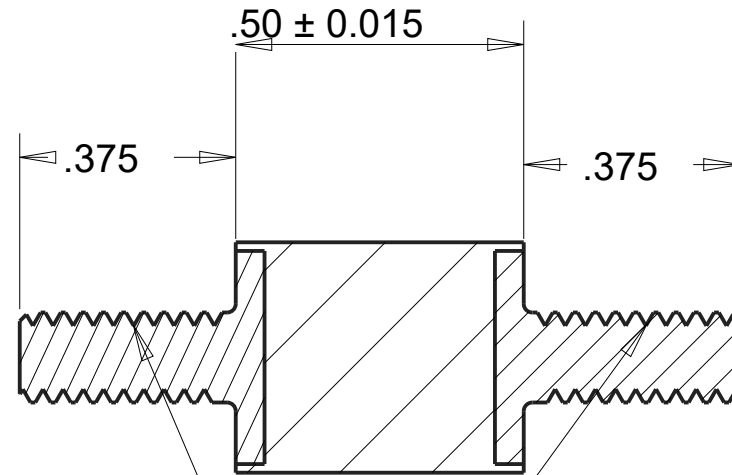




REVISIONS				
DRAWN	REV	DESCRIPTION	DATE	APPROVED
CP	01	INITIAL DESIGN	6/24/17	MS

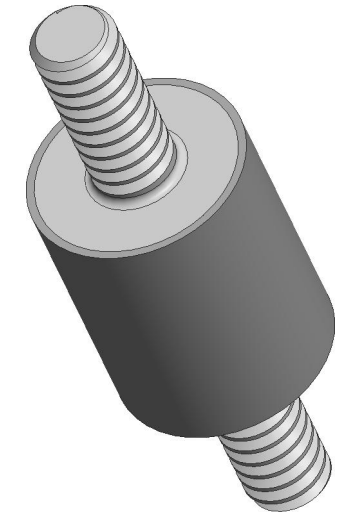


SCALE 3.000



SECTION A-A

GROUP 2 MALE  
INSERT #6-32  
UNC-2A



SCALE 3.000

NOTES:

1. CONTACT AREAS MUST BE 100% BONDED.

INSERTS:

MALE INSERT P/N: 021-1425

MATERIAL: S.A.E 1018 STEEL

FOR COATING DETAILS, SEE INSERT DRAWING.

MATERIAL:	ISOLOSS HD	AEARO TECHNOLOGIES LLC * a 3M company		
UNITS:	IN	QUALITY CONTROL:	TITLE	
		MUST COMPLY WITH AEARO TECHNOLOGIES LLC SUPPLIER QUALITY MANUAL REQUIREMENTS	SANDWICH MOUNT, GROUP 2, MALE-MALE, ISOLOSS HD	
		NOTES:	SIZE	ITEM CODE
		ANY FEATURE NOT DIMENSIONED IN PRINT MUST BE VISIBLY PRESENT, UTILIZE 3D CAD FOR CREATION	B	MM-200-UC06-H
			DWG NO.	