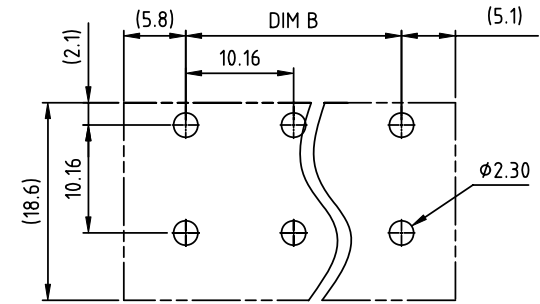
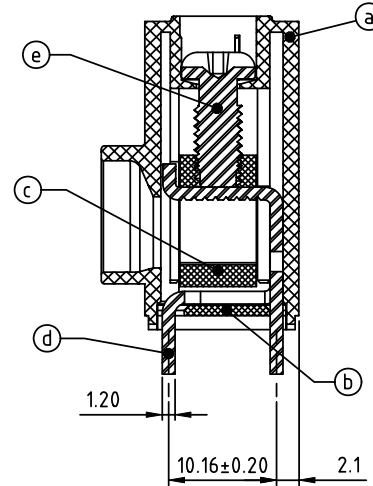
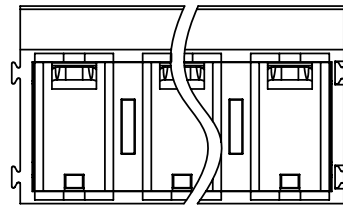
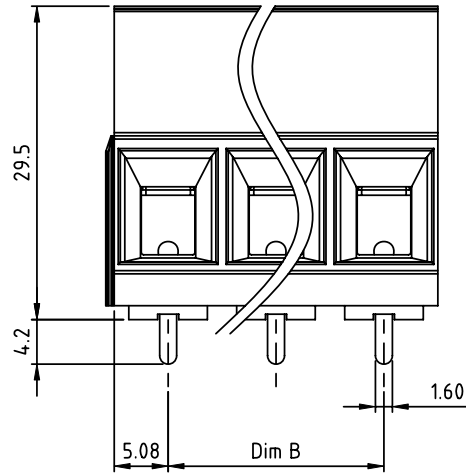
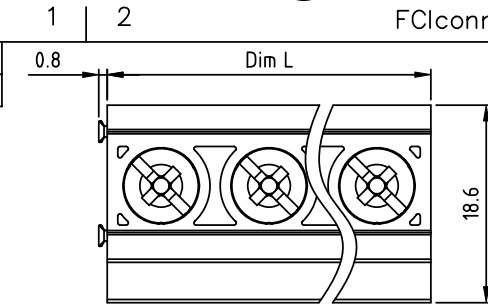


PRODUCT NUMBER	PITCH
KQxx62x000J0G	10.16 mm



RECOMMENDED P.C.B LAYOUT  
TOP VIEW

Material:

- Item@ Terminal housing:Thermoplastic (UL 94V-0)
- Item@ Terminal cover:Thermoplastic (UL 94V-0)
- Item@ Clamp:Zinc alloy . Ni plated
- Item@ Solder pin: Brass .Tin plated
- Item@ Terminal screw:Steel Zinc plating"+/-"combination type

- |                           |                 |
|---------------------------|-----------------|
| Electrical                | cULus           |
| ● Voltage rating :        | 300V            |
| ● Current rating :        | 64A             |
| ● Wire range :            |                 |
| ● Solid wire (AWG) :      | 6-22            |
| ● Stranded wire (AWG) :   | 6-22            |
| ● Torque (LB-In.) :       | 19              |
| ● Screw :                 | M4.5            |
| ● Wire strip length :     | 11~12mm         |
| ● Withstanding voltage :  | 1.6KV           |
| ● Operating temperature : | -40°C+115°C     |
| ● Soldering temperature : | 260°C+5°C/5 Sec |
| ● Safety Approval:        |                 |

PART NO.: KQ xx 6 2 x 0 00J0 G

N=Number of poles  
Dim L N×10.16  
Dim B (N-1)×10.16

Poles	Tolerance
2P-6P	±0.25
7P-12P	±0.40

End Stackable	0	Black (RAL9005)	RoHS compliant
No. of poles	2	Red (RAL3001/D)	(lead<4%)
02 2 poles	3	Orange(RAL2011/P)	In copper Alloy
03 3 poles	4	Yellow(RAL1018/A)	
...	5	Green(RAL6018/T)	
12 12 poles	6	Blue (RAL5015/A)	
	8	Grey(RAL7035/D)	
	9	White(RAL1102)	
	C	Green(RAL6018/U)	

mat'l. code		surface ASME Y14.5	tolerance ASME Y14.5	projection	product family
ltr ecn no dr date		tolerances unless otherwise specified			TERMINAL BLOCK
		angles	X.±0.5	MM	title
		±1°	X.X±0.3	scale	TERMINAL BLOCK
			X.XX±0.1		CLAMP, 180D WIRE INLET, A TYPE
		dr	EVIN ZHONG 041414		dwg no
		enr	EVIN ZHONG 041414		sheet 1 of 1
		chr	HANKE FENG 041414		size
		appd	SHI JUN 041414		KQxx62x000J0G
sheet index	revision sheet	A	1		A4
					type
					CUSTOMER Drawing