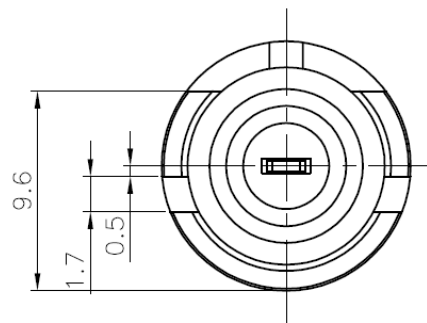
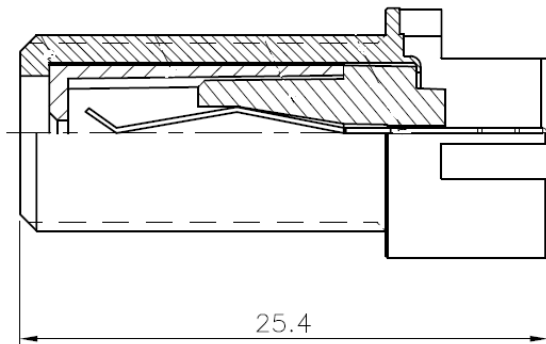
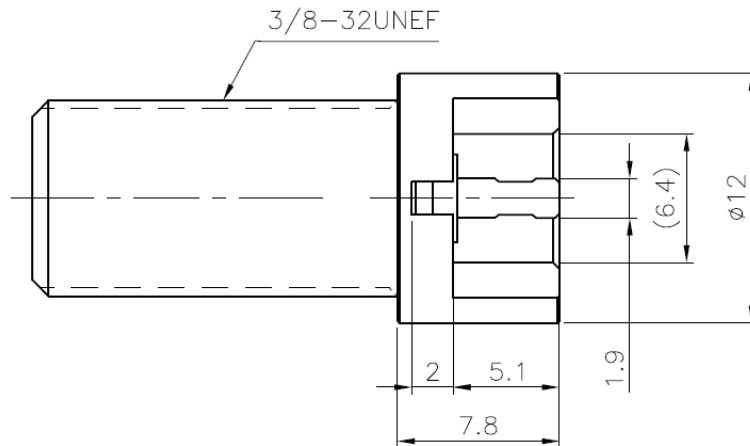




DESCRIPTION: F JACK SIDE EDGE, PCB MOUNT
 MODEL NUMBER: 25-7630
 APPLICATION: PCB MOUNT
 CRIMP TOOL: N/A
 IMPEDANCE: 75 OHM
 FREQUENCY RANGE: 0-1 GHz
 RETURN LOSS: 34dB (0-250MHz)
 23dB (250-750MHz)
 19dB (750~1GHz)
 MATERIAL: BODY BRASS SN PLATED
 INSULATOR PP
 CONTACT PHOS. BRNZ SN PLATED
 RoHS COMPLIANCE: YES
 TECHNICAL DETAIL: REFET TO EMERSON DOCUMENT 25-0000



		AIM-Cambridge	
	RoHS 2002/95/EC	Title: (CPF61SE) F Jack side edge, PCB Mount	
<small> This PROPRIETARY Document is property of Cinch Connectivity Solutions. It is confidential in nature, non-transferable, and issued with the clear understanding that it is not traced or copied without permission and is returnable upon demand. </small>	<small>UNLESS OTHERWISE SPECIFIED UNITS: METRIC</small> .XX ±.51 .XXX ±.127 ANGLES ±2°	Model No. 25-7630	
<small> INTERPRET DRAWING IN ACCORDANCE WITH ASME Y14.5-2009. </small>	Size A	DO NOT SCALE DRAWING	Date: 10/16/2013
			Sheet 1 of 1