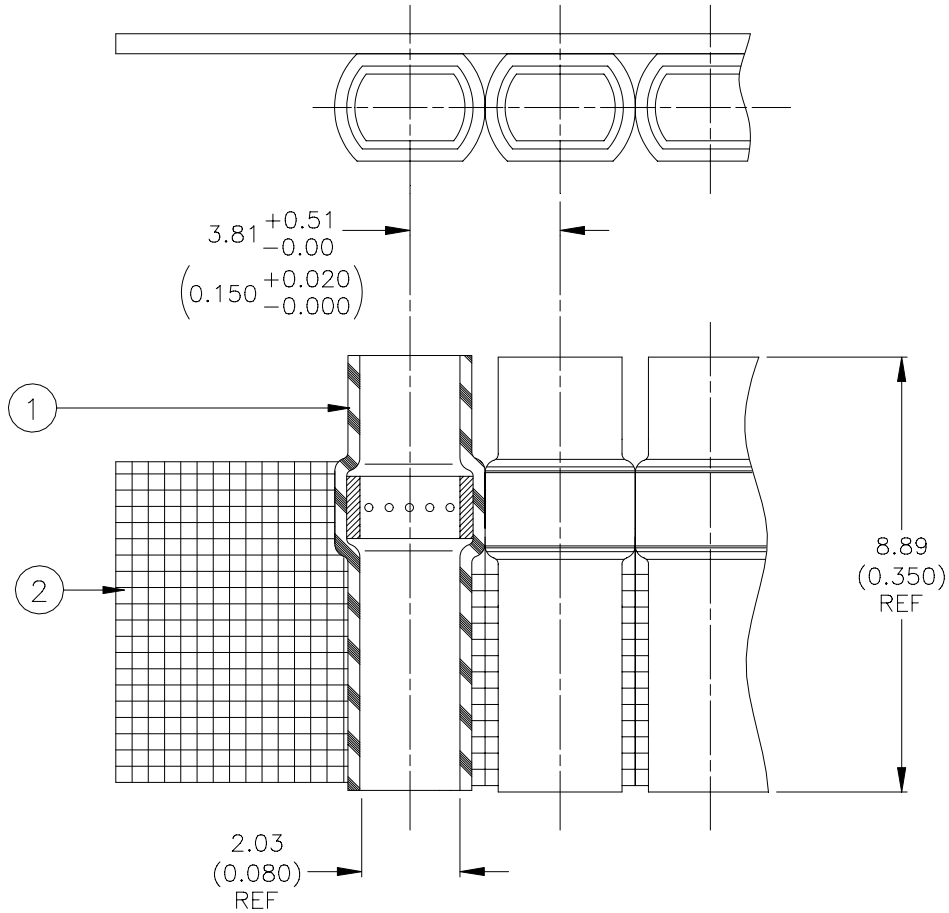


SPECIFICATION CONTROL DRAWING



MATERIALS

1. SOLDER SLEEVE WIRE TERMINATOR: D-128-0029, Quantity Per Assembly: 750.
2. CARRIER STRIP: Adhesive Coated High Temperature Tape

APPLICATION

1. This assembly is designed to be used with a Raychem AS-4000 Wire Organization System on connectors with terminals on 3.81 (0.150) center spacing. For usage parameters, see Raychem Devices Specification Control Drawing D-128-0029.
2. Wire terminators are to be inspected to Raychem Devices Specification Control Drawing D-128-0029.

		Wire and Harnessing Products		TITLE: 3.81 (0.150) Centers SOLDER PAK ASSEMBLY FOR AS-4000 SLEEVE: D-128-0029			
307 Constitution Drive Menlo Park, CA 94025, USA				Unless otherwise specified dimensions are in millimeters. Inches dimensions are in between brackets.			
TOLERANCES: 0.00 N/A 0.0 N/A 0 N/A		ANGLES: N/A ROUGHNESS IN MICRON		Tyco Electronics reserves the right to amend this drawing at any time. Users should evaluate the suitability of the product for their application.		DOCUMENT NO.: D-704-0043	
DCR NUMBER: D010015		REPLACES: N/A		DRAWN BY: M. FORONDA		DATE: 08-Feb.-01	
PROD. REV. A		DOC ISSUE: 1		SCALE: None		SIZE: A	
SHEET: 1 of 1							

If this document is printed it becomes uncontrolled. Check for the latest revision.