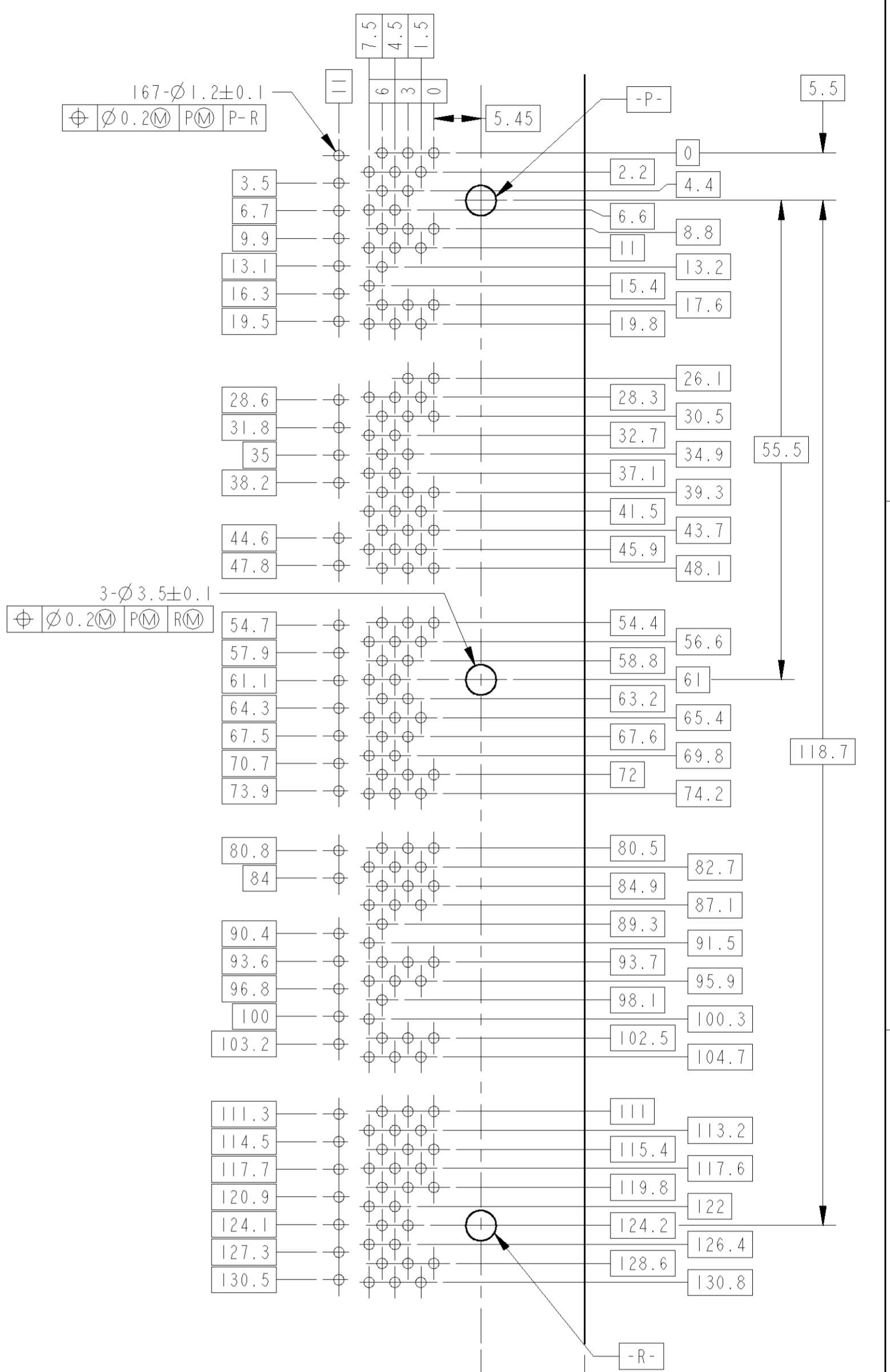
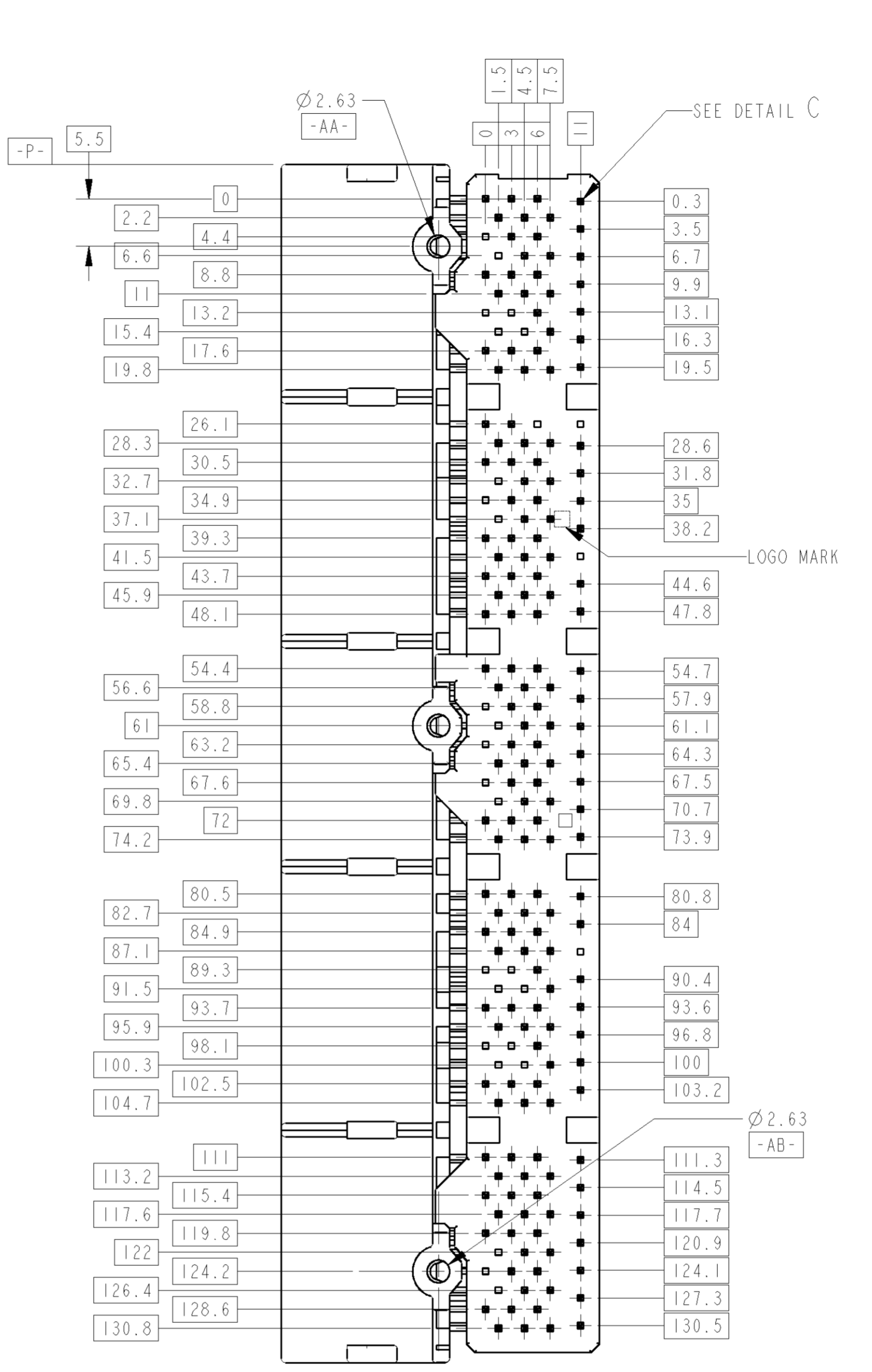
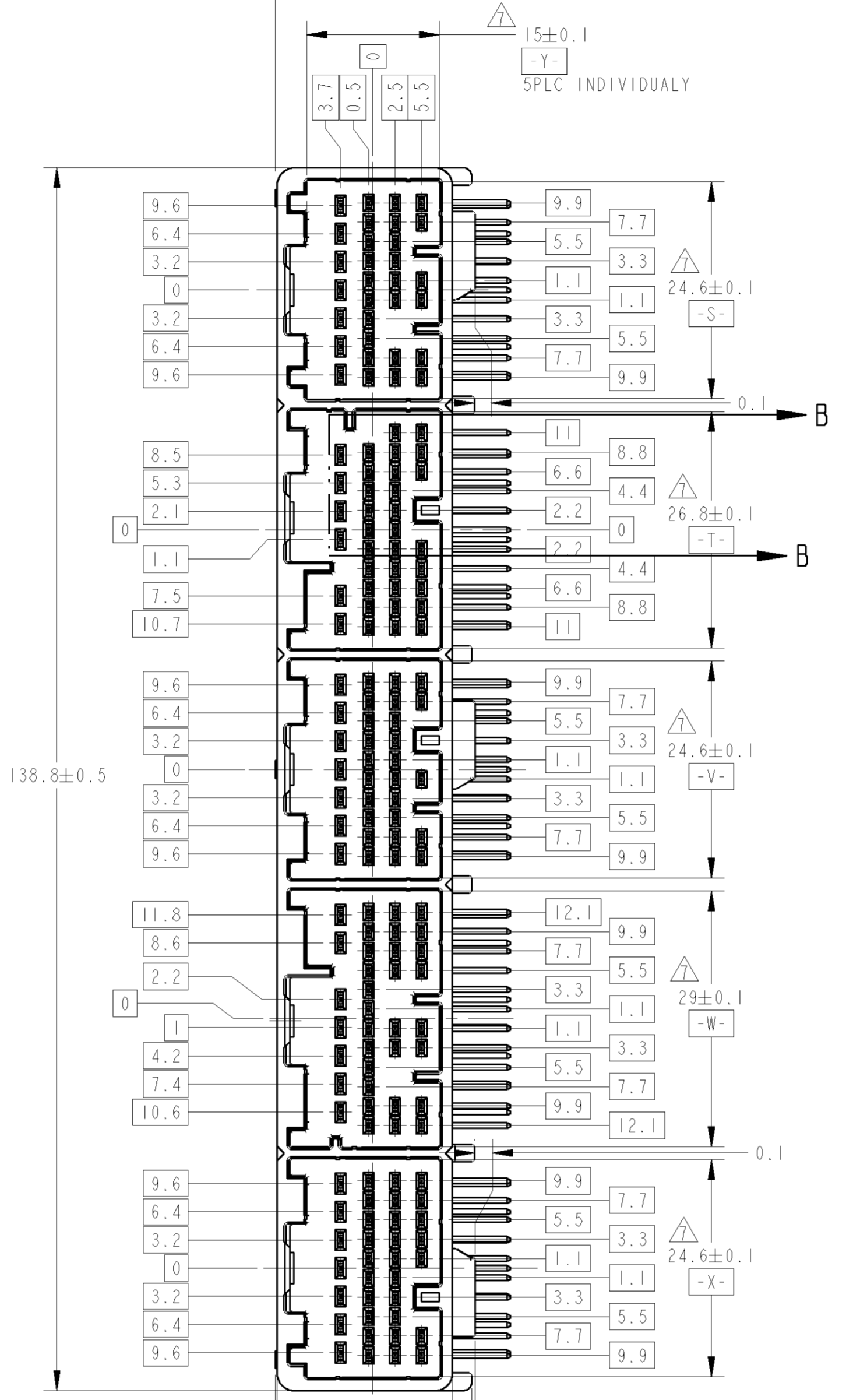
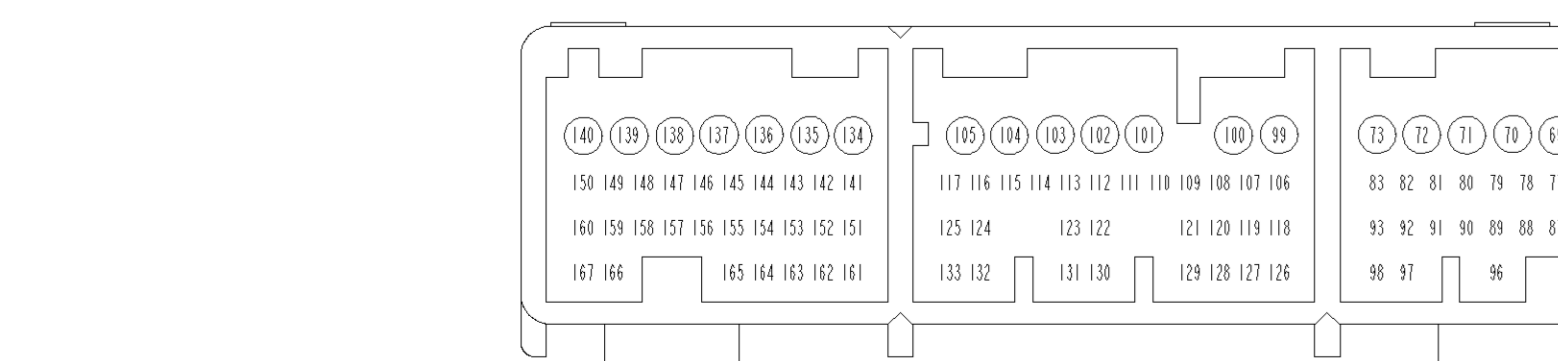
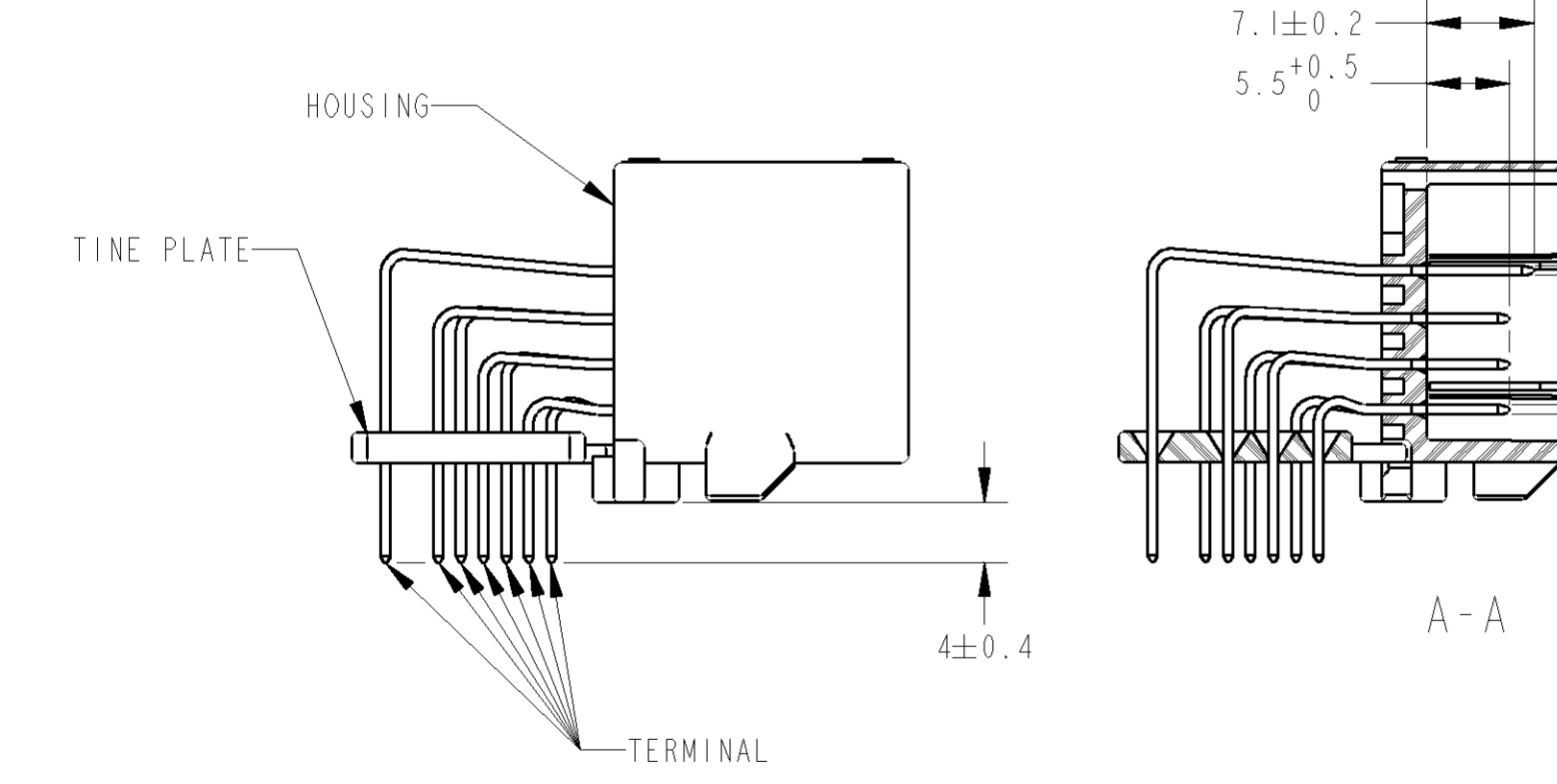
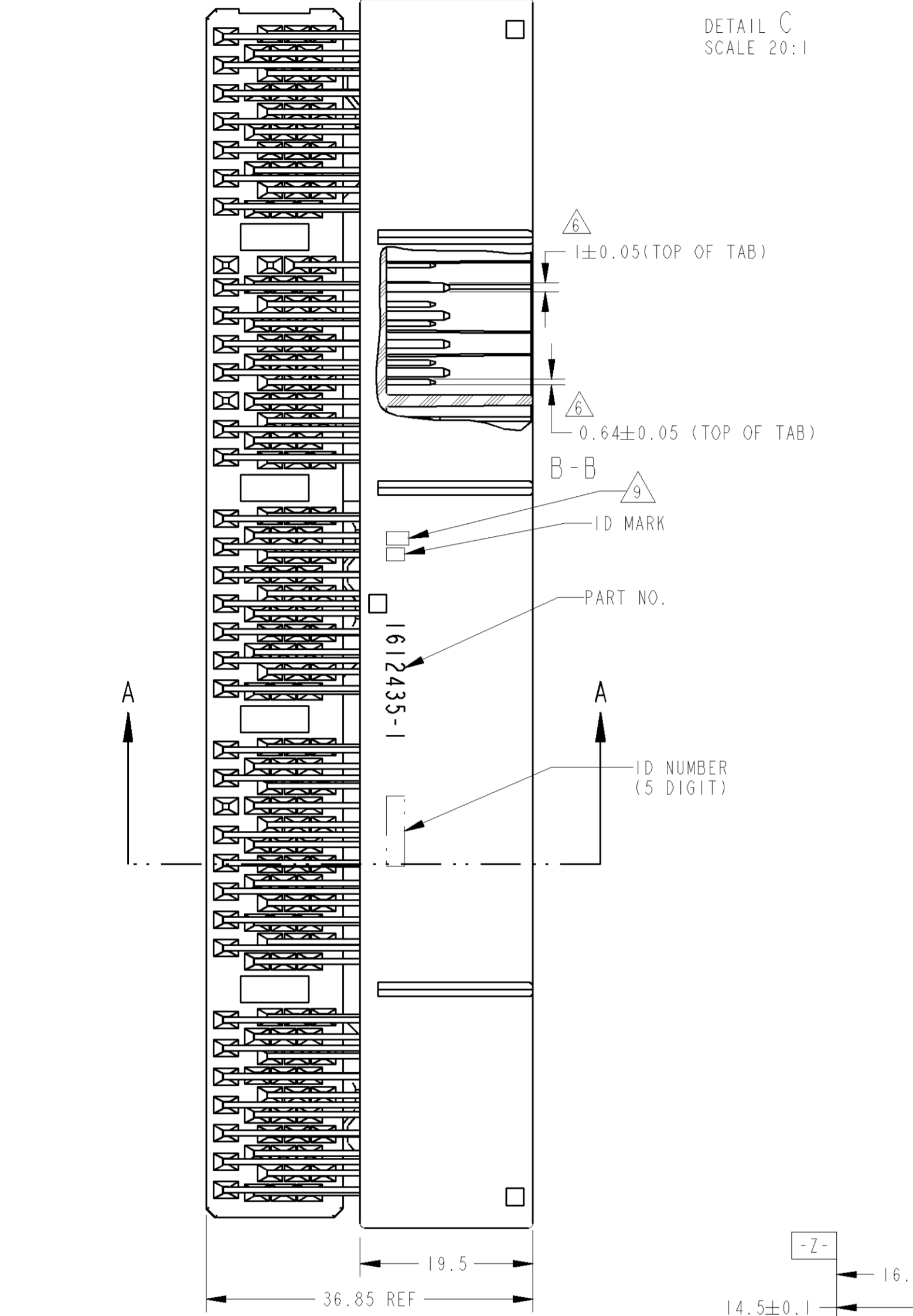


REV. NO.	DESCRIPTION	DATE	OWN	APPV
B1	REVISED	ECR-11-013315	15JUL11	KF HY
B2	REVISED	ECR-11-015494	27AUG11	KF HY



1. 適合相手コネクタ品番: TABLE-1 参照
2. 端子間隔: TABLE-2, FIG-1 参照
3. 適用材: JIS B1115, B1122 タンポクねじ, 長さ: TABLE-3 参照
4. ねじ締めトルク (参考値): 0.392N・m MAX. 但し, TE 許用基板・ねじの組み合わせの値である。よって管理値は別途規定すること。
5. 適用プリント基板厚さ: 1.6mm
6. 3次D.T.M.については, [-S-], [-T-], [-V-], [-W-], [-X-] を各々のブロックに適用すること。
7. [-Z-] は約 7.5mm の位置 (リフト) で測定
8. 本製品の取付は取扱説明書 No. 411-5932 に従うこと
9. コネクタ仕様が識別用記号

1. MATING CONNECTOR PART NO.: SEE TABLE-1
2. DETAIL OF TERMINALS: SEE TABLE-2, FIG-1
3. APPLICABLE SCREW: PAN-HEADED, TYPE 2 TAPPING SCREW, NOMINAL DIAMETER 3mm LENGTH; SEE TABLE-3 REFER TO JIS B1115, B1122
4. FASTENING TORQUE OF SCREW (REFERENCE): 0.392N・m MAX. THIS IS VALUE AT CONDITION TO USE THE PCB AND THE SCREW FOR TESTING. THEREFORE PROCESS CONDITION SHOULD BE RE-SPECIFIED RESPECTIVELY.
5. APPLICABLE PRINTED CIRCUIT BOARD THICKNESS: 1.6mm
6. [-S-], [-T-], [-V-], [-W-], [-X-] OF EACH BLOCK.
7. MEASURED AT 7.5mm FROM [-Z-] ON THE STRAIGHT PROTRUSION
8. HANDLING OF THIS PART SHOULD FOLLOW INSTRUCTION SHEET NO. 411-5932
9. IDENTIFICATION MARK FOR THE CONTACT FINISH DISCERNMENT.

TABLE-1

POS	FEMALE HOUSING TE P/N
34	1123337-1, -2 1674925-1
35	1123338-1, -2 1674558-1, -2
32	1123339-1, -2 1674922-1
35	1123340-1, -2 1674928-1
31	1123341-1, -2 1674919-1, -2

TABLE-2

TYPE	POSITION	CIRCUIT NUMBER
0.64(025)	133	8-31, 38-66, 74-98, 106-133, 141-167
1.0(040)	34	1-7, 32-37, 67-73, 99-105, 134-140

TABLE-3

FRONT BOARD THICKNESS (mm) THICKNESS OF PCB (mm)	1.2	1.6
NOMINAL LENGTH OF SCREW (mm)	5	6

PLASTIC BOX 通い箱	PLASTIC TUBE プラスチックチューブ	130	SELECTIVE-TIN (MATTE)	SELECTIVE GOLD	8-31, 38-66, 74-98 106-129, 131-133, 141-167	BLACK	BLACK	1612435-5
PAPER BOX タンボール箱	PLASTIC TUBE プラスチックチューブ	—	SAME AS 1612435-1			—	—	1612435-4
PLASTIC BOX 通い箱	PLASTIC TUBE プラスチックチューブ	—	SELECTIVE-TIN (MATTE)	SELECTIVE GOLD	18-31, 48-66, 84-98 118-133, 151-167	BLACK	NATURAL	1612435-1
OUTER	INNER	NO CONTACT CIRCUIT NO. 欠番	SOLDER SIDE 非田付側	CONTACT SIDE 接点側	CIRCUIT NUMBER 回路番号	TINE PLATE	HOUSING	PART NUMBER 型番