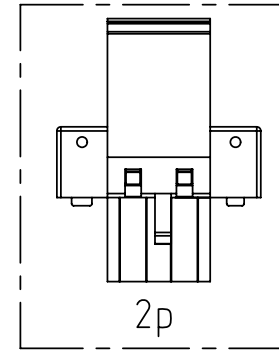
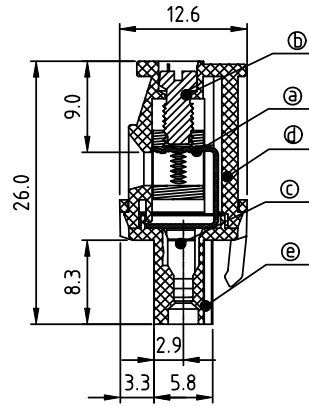
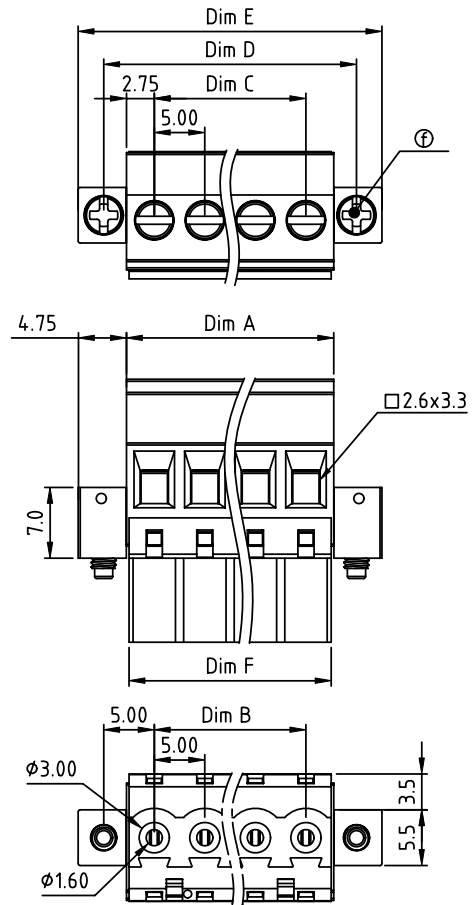


PRODUCT NUMBER	PITCH
TSxx71xD00J0G	5.00 mm



Material

- Item A Clamp: Brass(CuZn) Ni plated
- Item B Terminal screw: Steel Zinc plating "-" slot type
- Item C Female contact: PhBz, Tin plated
- Item D Top body: Thermoplastic (UL94V-0)
- Item E Bottom body: Thermoplastic (UL94V-0)
- Item F With flange screw: Steel Zinc plating "+/-" combination type M2.5

Electrical cULus/VDE/TUV

- Voltage rating: 300VAC/300VAC/300VAC
- Current rating: 15A/17A/15A
- Wire range: 2.5mm²/0.34-2.5mm²
- Solid wire(AWG): 12-24
- Stranded wire(AWG): 12-24
- Torque: 3.5Lb-In./0.5Nm/0.4Nm
- Screw: M3
- Wire strip length: 6-7mm
- Withstanding Voltage: 1.6KV/2.5KV/2.5KV
- Operating temperature: -40°C to +115°C
- Safety approval: cULus VDE TUV

DIMENSION

N=Number of poles

Dim L	NX5.0+0.5
Dim B	(N-1)X5.0
Dim C	(N-1)X5.0
Dim D	(N-1)X5.0+10.0
Dim E	(N-1)X5.0+15.04
Dim F	NX5.0
Poles	Tolerance
2p-6p	±0.15
7p-12p	±0.25
13p-18p	±0.30
19p-24p	±0.40

PART NO.: TS xx 71 x D 00J0 G

Solid block	0	Black (RAL9005)	RoHS compliant (lead<4%) In copper Alloy
No. of poles	2	Red (RAL3001/D)	
02	2 poles	3 Orange(RAL2011/P)	
03	3 poles	4 Yellow(RAL1018/A)	
...	...	5 Green(RAL6018/T)	
24	24 poles	6 Blue (RAL5015/A)	
		8 Grey(RAL7035/D)	
		9 White(RAL1102)	
		C Green(RAL6018/U)	

mat'l. code		surface ASME Y14.5	tolerance ASME Y14.5	projection	product family TERMINAL BLOCK
ltr	ecn no	dr	date	 MM	title TERMINAL BLOCK PLUGGABLE PLUG,HOOK ON BACK SIDE,WITH FLANGE
tolerances unless otherwise specified					
angles		X.±0.5			dwg no TSxx71xD00J0G sheet 1 of 1 size A4
X*±1*		X.XX±0.3			
dr		EVIN ZHONG	041914		
enr		EVIN ZHONG	041914		
chr		HANKE FENG	041914	type CUSTOMER Drawing	
appd		SHI JUN	041914		
sheet index	revision sheet	A	1		