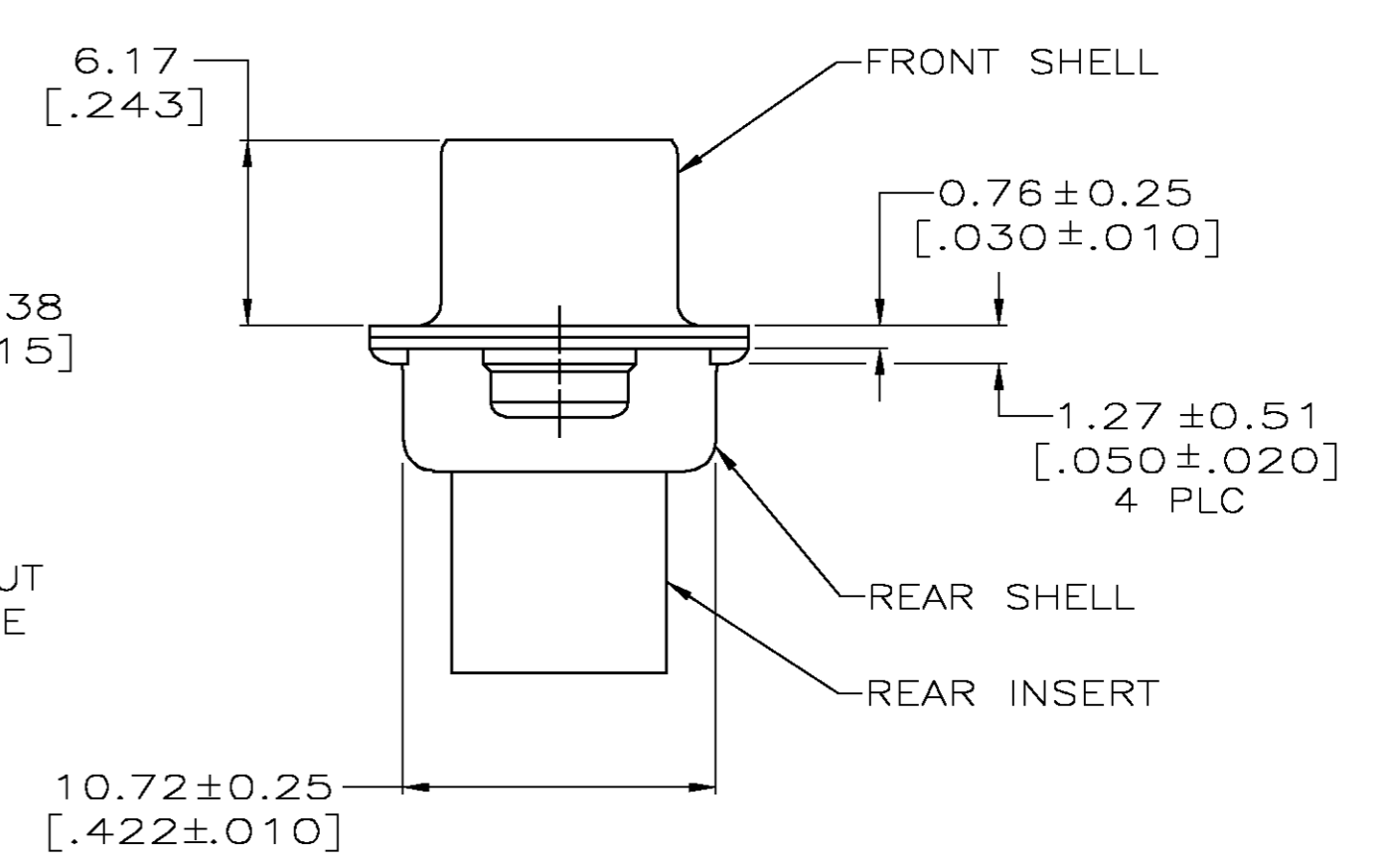
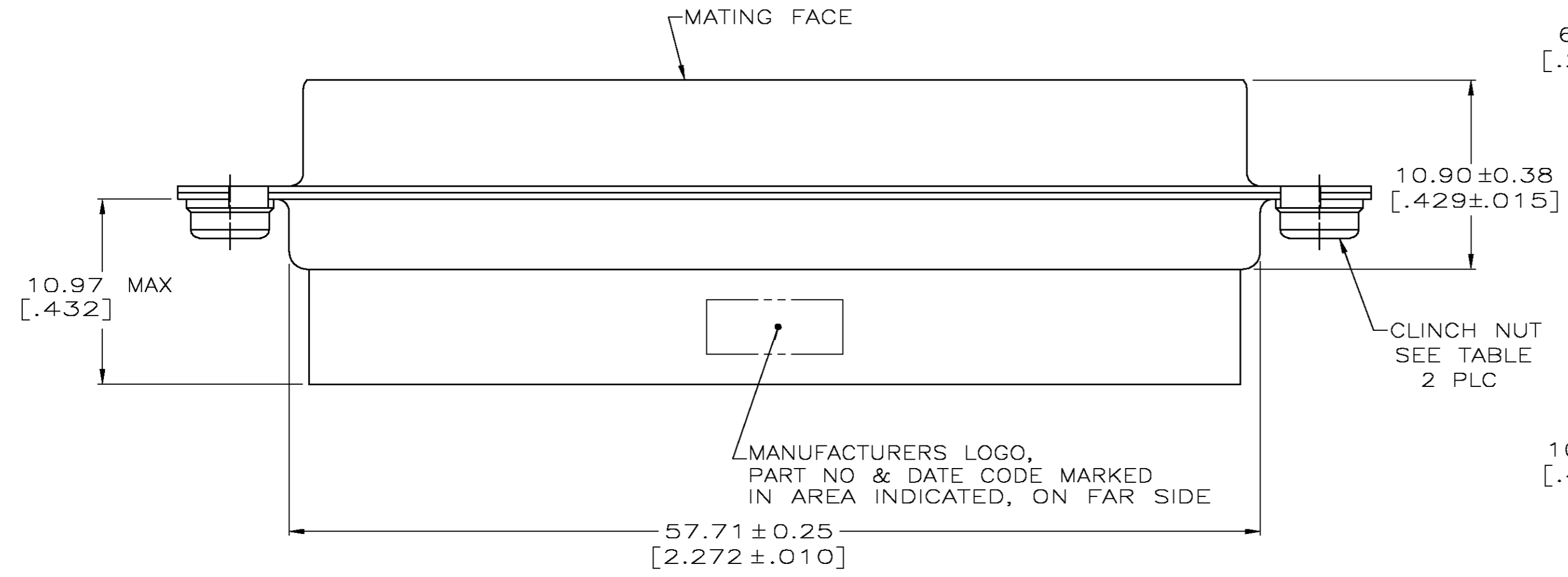
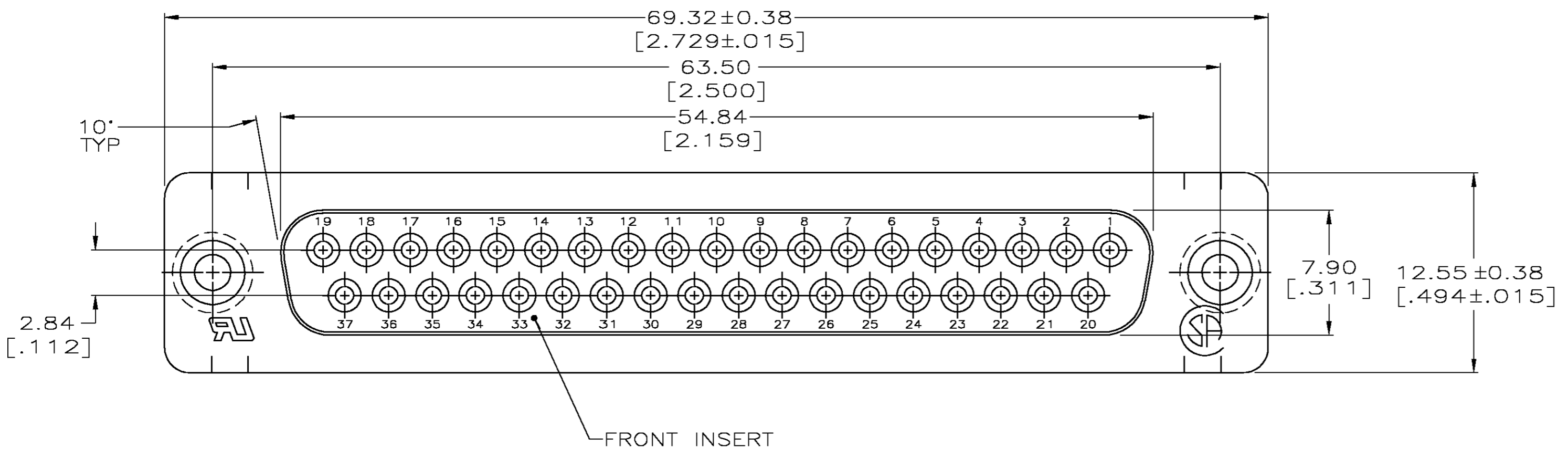


THIS DRAWING IS UNPUBLISHED. RELEASED FOR PUBLICATION  
 © COPYRIGHT BY TYCO ELECTRONICS CORPORATION. ALL RIGHTS RESERVED.

LOC		DIST		REVISIONS			
P	LTR	DESCRIPTION	DATE	DWN	APVD		
GP	00	0	RELEASED PER EC 0S13-0257-04	11-10-04	GA	JG	



- CONNECTOR ACCEPTS SIZE 20 DF SOCKET CONTACTS, RETENTION TINES ARE AN INTEGRAL PART OF INSERT.
- MOLDED PARTS: NYLON OR POLYESTER, UL 94V-0 RATED, BLACK. CLINCH NUTS & SHELLS: CARBON STEEL PER ASTM A109.
- 5.08 μm [.000200] MIN TIN OVER 2.54 μm [.000100] MIN COPPER.
- .068 MAX DIA WIRE INSULATION SIZE IS RECOMMENDED FOR USE WITH THIS RECEPTACLE.
- CLEAR CHROMATE OVER ZINC.

3	5	4-40	5207661-3
SHELL FINISH	CLINCH NUT FINISH	CLINCH NUT THREAD TYPE	PART NO
THIS DRAWING IS A CONTROLLED DOCUMENT.		Tyco Electronics Corporation Harrisburg, PA 17105-3608	
DIMENSIONS: INCHES	TOLERANCES UNLESS OTHERWISE SPECIFIED:	NAME: RECEPTACLE CONNECTOR, SIZE 4, 37 POSN, WITH CLINCH NUTS, AMPLIMITE HDP	
	0 PLC ± -	SIZE: A2	
	1 PLC ± -	CAGE CODE: 00779	
	2 PLC ± 0.13 [.005]	DRAWING NO: C=5207661	
	3 PLC ± -	RESTRICTED TO: -	
	4 PLC ± -	SCALE: 4:1	
	ANGLES ± 2	SHEET 1 OF 1	
MATERIAL	FINISH: SEE TABLE	REV 0	
CUSTOMER DRAWING			

5207661