

4 3 2 1

F

E

D

C

B

A

F

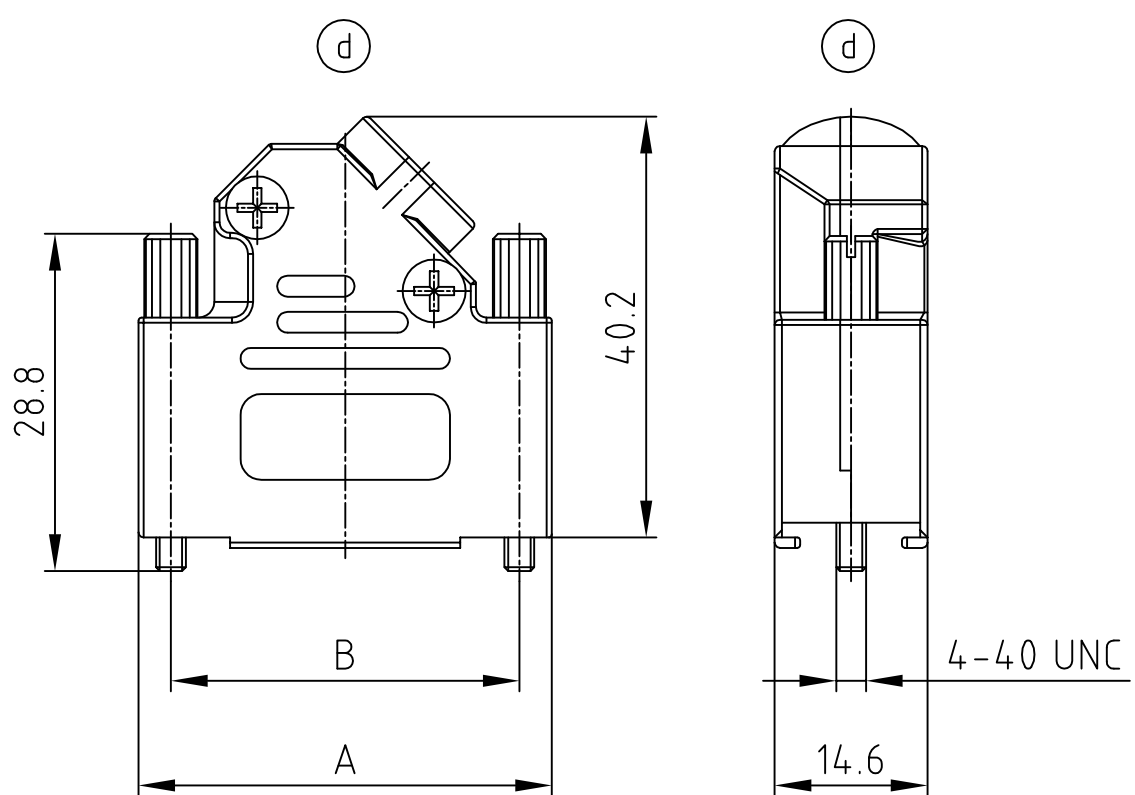
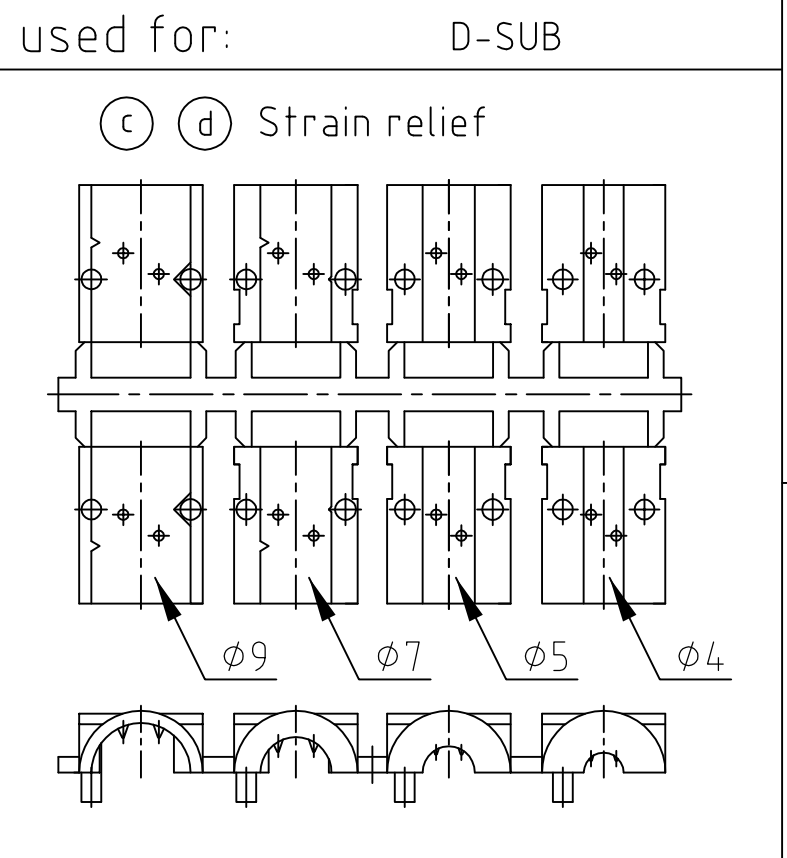
E

D

C

B

A



No. of pos.	A	B	Part No.
15	39.3	33.3	165X02699X
25	53.2	47.0	165X02709X
37	69.7	63.5	165X02719X

(d) TECHNICAL DATA:

- BACKSHELL HALVES: ZINC DIE-CAST; NICKEL PLATED
- ASSEMBLY SCREWS: STEEL; TIN PLATED
- JACK SCREWS: STEEL; TIN PLATED
- CABLE STRAIN RELIEF: PC
- TEMPERATURE RANGE: -40°C to +120°C
- ATTENUATION FACTOR: >40dB BETWEEN 30 MHz AND 2 GHz
- ASSEMBLY INSTRUCTION SEE SHEET 2

Directive 2002/95/EC RoHS compliant

THIS DRAWING MAY NOT BE COPIED OR REPRODUCED IN ANY WAY, AND MAY NOT BE PASSED ON TO A THIRD PARTY WITHOUT WRITTEN PERMISSION.
 OWNERSHIP AND COPYRIGHT OF CONEC GmbH
 DO NOT ALTER CAD DRAWING BY HAND

tolerance				scale: 1:1	
				material: SEE NOTES	
	2002	date	name		
	drawn	01.03.	Schmidt		
	appd.	01.03.	Mickenbecker		
6 x d	Ä 4171	03.01.2012	Lehmen.	norm	DIN 41652
2 x c	Ä 2754	23.07.2007	Lehmen.	d-old	Kat119PA
1 x b	Ä 2480	06.04.2006	Lehmen.		
a	Original				
rev.	description	date	name		



title: METAL HOOD
15-37pos. EMI/RFI SHIELDING
with side cable entry and jack screws 4-40 UNC

dwg no: AutoCAD DIN-A
16K1A622 4
sh:1/2

part no: SEE TABLE

4 3 2 1

4

3

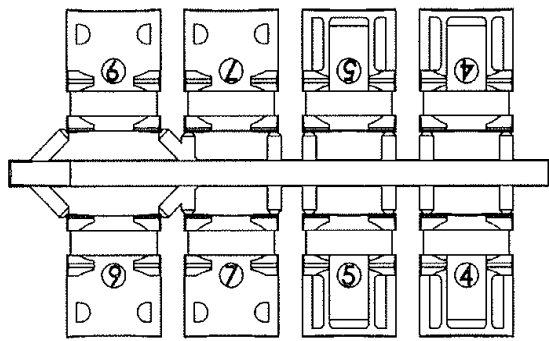
2

1

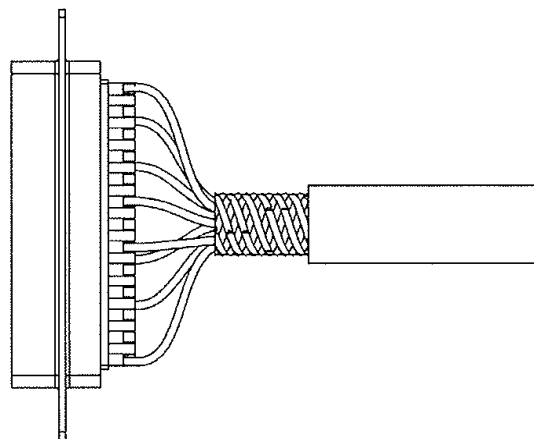
used for: D-SUB

ASSEMBLY INSTRUCTION:

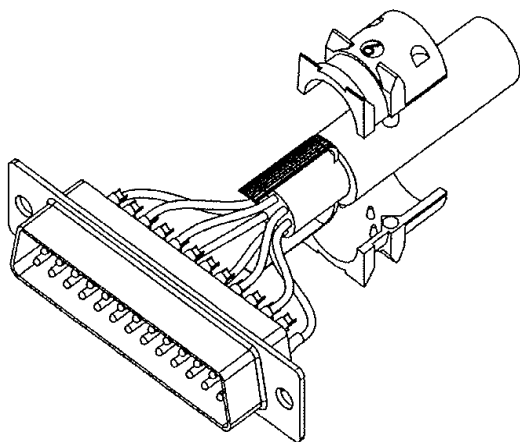
Use two halves of strain relief
different sizes can be mixed



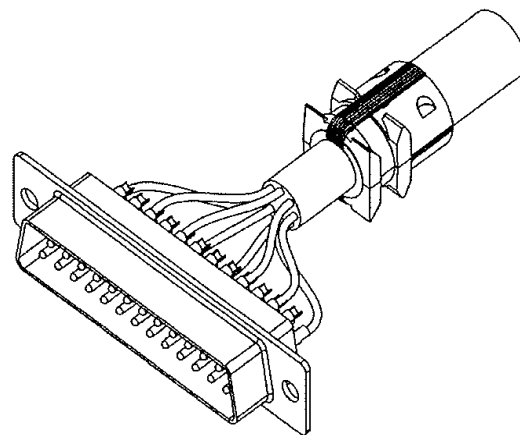
Strip cable 18mm and
shape cable to two pigtails



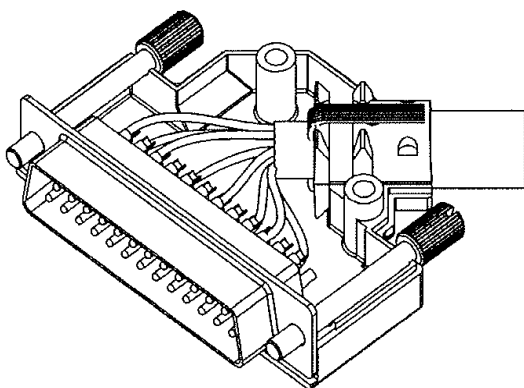
Attach the strain relief around the cable



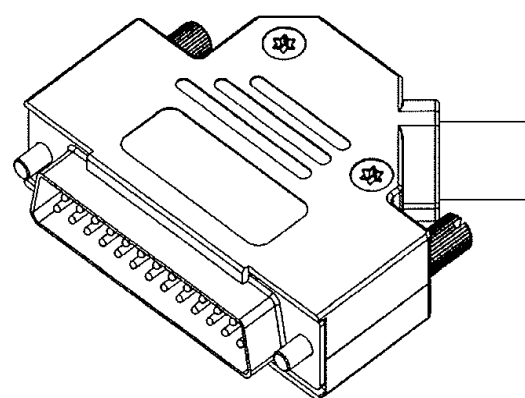
Bend cable shielding back
on outside of strain relief



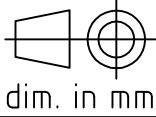

Mount connector and cable
into the backshell



Assemble the other half
screwing force: 100-120 Ncm.



THIS DRAWING MAY NOT BE COPIED OR REPRODUCED IN ANY WAY, AND MAY NOT BE PASSED ON TO A THIRD PARTY WITHOUT WRITTEN PERMISSION.
OWNERSHIP AND COPYRIGHT OF CONEC GmbH
DO NOT ALTER CAD DRAWING BY HAND

				tolerance			scale:	
				dim. in mm			material:	
				2012	date	name	title: ASSEMBLY INSTRUCTION METAL HOOD 15-37pos. EMI/RFI SHIELDING with side cable entry and jack screws 4-40 UNC	
				drawn	03.01.	Lehmenkühler		
				appd.	03.01.	Fischer		
				norm				
				d-old				
a	Original						dwg no:	DIN-A 4
rev.	description	date	name				part no:	SEE SHEET 1

4

3

2

1